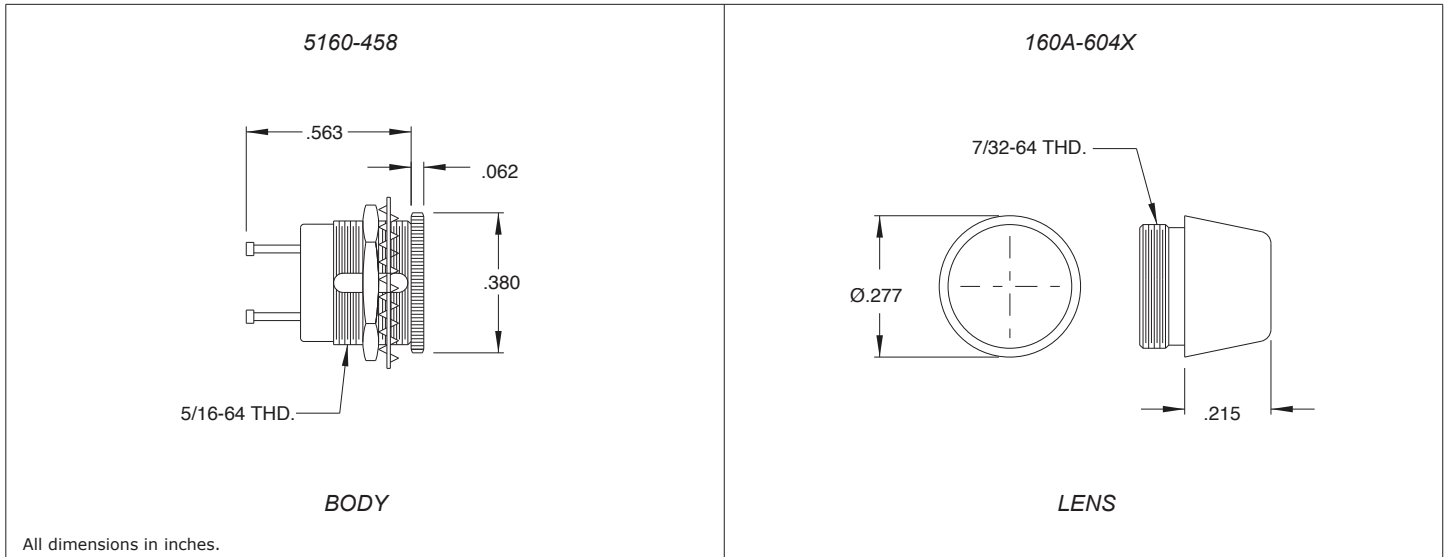


## Gemlite Relampable Indicator Lights

### Description and Features



The Chicago Miniature Lamp Gemlite Indicator Light is a versatile design capable of accepting all T-1 sub-midget flange based lamps. These high quality indicators provide reliable service in a vast array of military and commercial applications where a miniature relampable front panel indicator is required. The lamp is not included with this indicator light. Please order the required lamp separately.

## Specifications

Lens Part Number	Description
160A-604R	Translucent Red
160A-604Y	Translucent Yellow
160A-604G	Translucent Green
160A-604W	Translucent White

Mounting Hole:	Ø.313 with provision for a "Double D" anti-rotation hole if desired (.288 across flats)
Mounting Centers:	.469
Maximum Panel Thickness:	.218
Housing/Material:	Black Nickel Plated Brass
Terminals:	Turret type, center contact terminal is gold plated brass, shell contact terminal is silver plated brass
Hex Nut:	Nickel plated brass
Lockwasher:	Nickel plated bronze
Lens:	High temperature lexan
Lens Shank:	Nickel plated brass
Electrical rating:	up to 30 Volts, up to 1 Watt

# Mouser Electronics

Authorized Distributor

Click to View Pricing, Inventory, Delivery & Lifecycle Information:

VCC:

5160-458